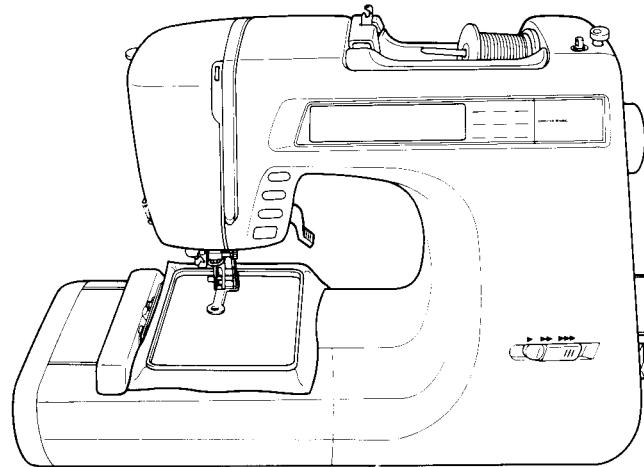


**Parts Catalogue For  
Computerized Sewing Machine  
MODEL 895  
PC7500  
ESi2**



## CONTENTS

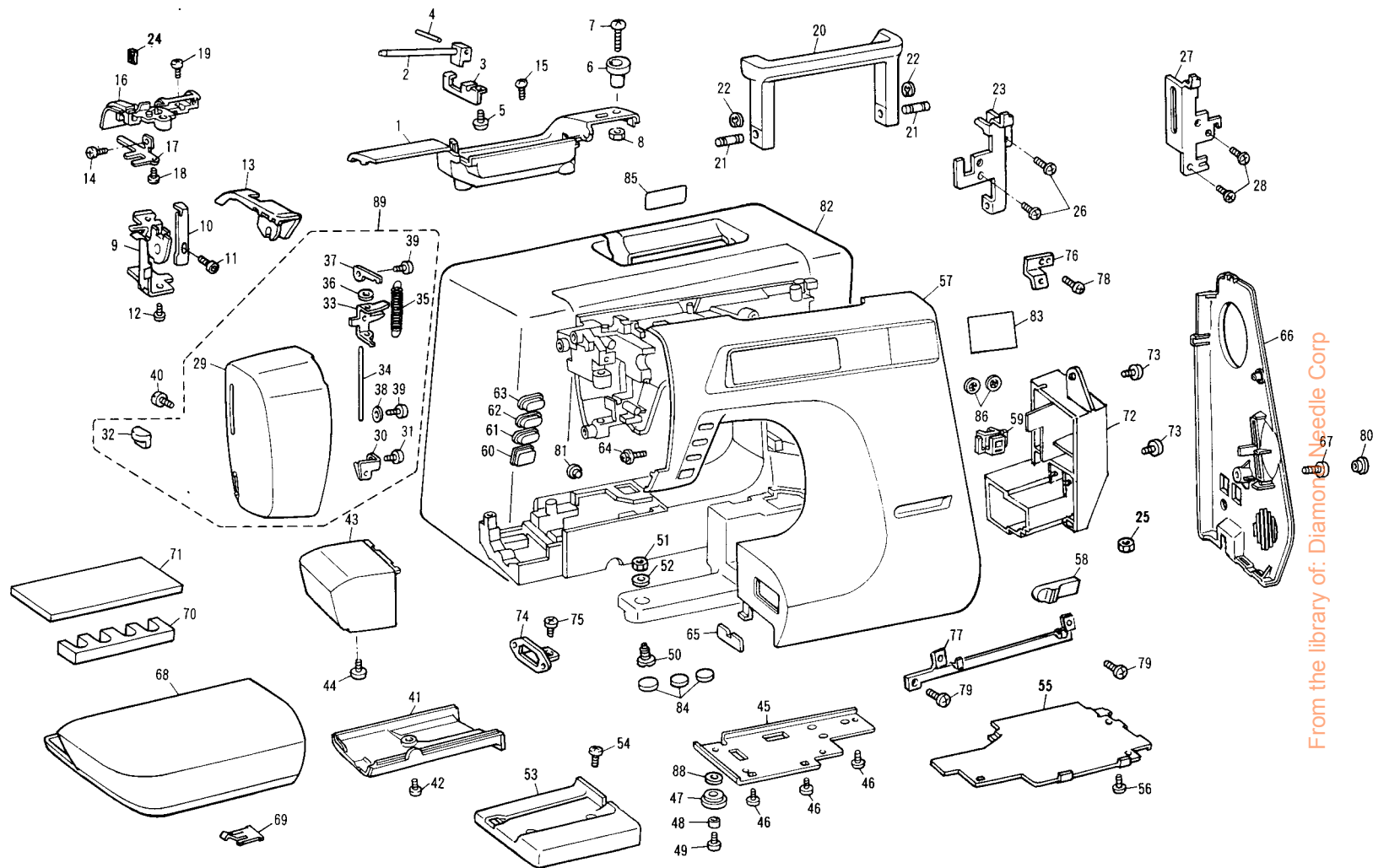
Ref. No.	Page	Title
1	2-3	Principal parts
2	4-5	Upper shaft and Needle bar
3	6-7	Thread take-up lever and Presser bar
4	8-9	Feed mechanism
5	10-11	Side feed and Thread cutting
6	12-13	Lower shaft and Rotary hook
7	14-15	Zigzag mechanism, Bobbin winder and Thread guide
8	16-17	Lamp, Main PC board assembly and Motor unit
9	18-19	Accessory
10	20-21	Embroidery unit

## (1) PRINCIPAL PARTS

Ref. No.	Parts No.	Parts Name	Ref. No.	Parts No.	Parts Name	Ref. No.	Parts No.	Parts Name
1	XA0140001	Top cover	33	X58503001	Needle threader lever	65	X55953001	Cover
2	X51456001	Spool pin	34	X51469001	Needle threader lever shaft	66	X57994001	Belt cover
3	X51457001	Spool pin set plate	35	138260001	Spring	67	060400616	Screw
4	X50437001	Pin	36	129935000	Washer	68	X55955001	Accessory table assembly
5	136681001	Screw	37	X51470000	Shaft presser plate	69	138644051	Accessory table notched spring
6	121846001	Bobbin presser	38	513159001	Washer	70	X53619001	Bobbin holder
7	062301616	Screw	39	138433001	Screw	71	X51434000	Sponge
8	021300106	Nut	40	X56550001	Screw	72	X58056000	Switch cover
9	X55924101	Thread guide holder	41	X58518001	Bed cover	73	060400616	Screw
10	X55928001	Bobbin winder thread guide	42	060400616	Screw	74	X55959001	Connector holder
11	018300436	Screw	43	X55940001	Free arm cover	75	060400616	Screw
12	136681001	Screw	44	060400818	Screw	76	X56459001	Set plate U
13	X55929102	Thread guide cover	45	X55941001	Base plate setter	77	X58063000	Set plate D
14	052300606	Screw	46	060501016	Screw	78	060300416	Screw
15	060400816	Screw	47	X55942100	Rubber cushion	79	060400616	Screw
16	X55930102	Thread guide cover	48	X56474001	Spacer	80	X50442001	Screw cover
17	X55931001	Thread guide plate	49	060400816	Screw	81	X52215001	Arm cap
18	138433001	Screw	50	X55943051	Adjusting screw	82	X56002001	Machine cover assembly
19	060400616	Screw	51	X56960001	Nut	83	X56621010	Decoration plate
20	X55932001	Carrying handle	52	025680133	Washer	84	130157001	Rubber cushion
21	X55933001	Carrying handle shaft	53	X55994001	Base plate	85	X56711001	Medallion
22	048040346	Stop ring	54	060400616	Screw	86	025040332	Washer
23	X55934001	Handle holder L	55	X57872001	Base cover			
24	X57011001	Thread control tape	56	060400616	Screw			
25	021400306	Nut	57	X55946006	Front cover for Galaxce			
26	060400616	Screw		X55946007	Front cover for PC7500			
27	X55936001	Handle holder R	58	X56684001	S key top			
28	060400616	Screw	59	X55948000	Connecting block			
29	X55938001	Face plate	60	X55949001	SS button for Galaxce			
30	X56450001	Thread cutter assembly	60	X58489001	SS button for PC7500			
31	138433001	Screw	61	X55950001	Reverse sewing button			
32	X51467001	Needle threader lever knob	62	X55951001	NP button			
			63	X55952001	Thread cutting button			
			64	533777001	Screw			

From the library of: Diamond Needle Corp

1

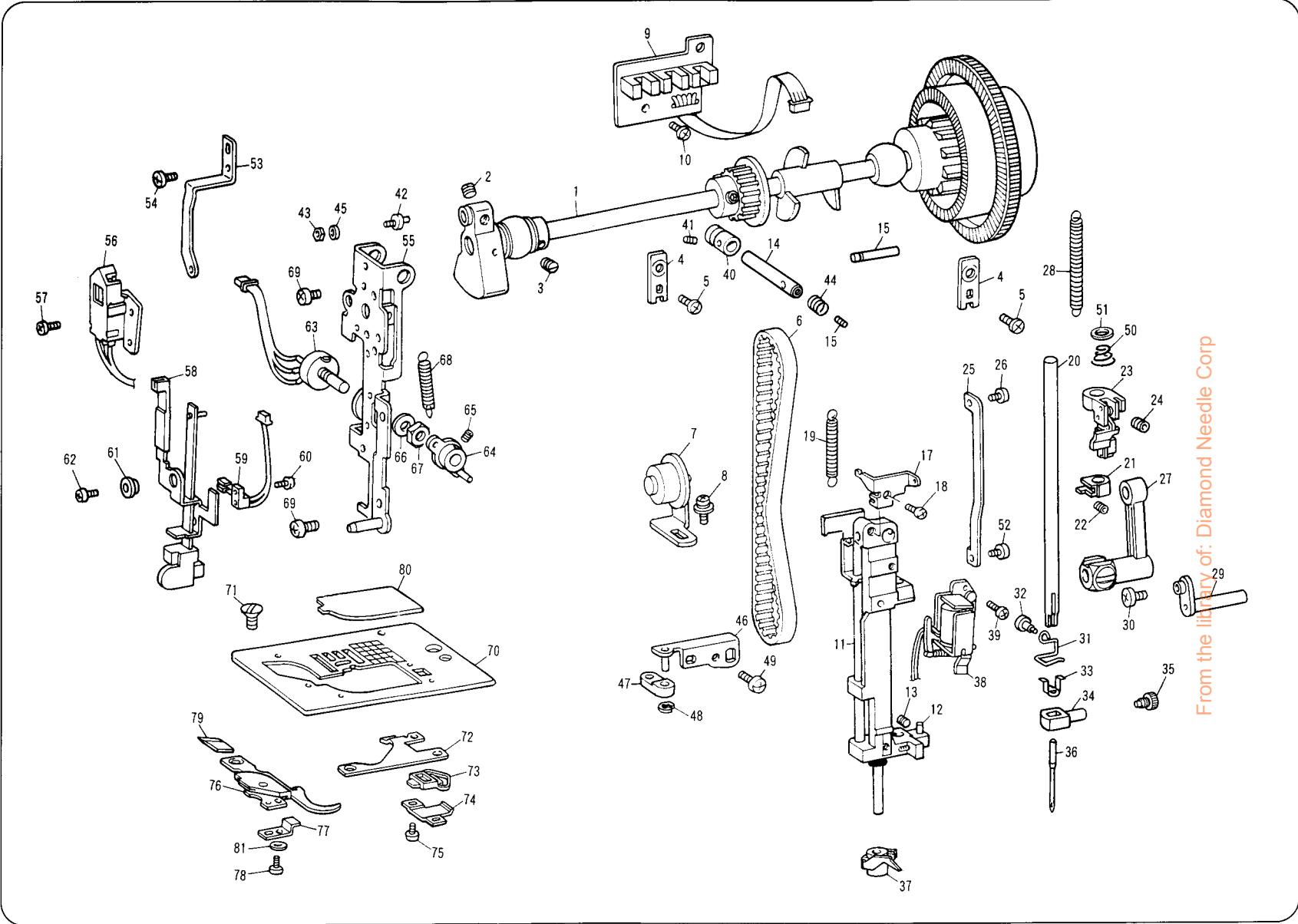


From the library of: Diamond Needle Corp

**(2) UPPER SHAFT AND NEEDLE BAR**

Ref. No.	Parts No.	Parts Name	Ref. No.	Parts No.	Parts Name	Ref. No.	Parts No.	Parts Name
1	X55961001	Upper shaft assembly	31	X50109000	Needle bar thread guide	61	132467001	Collar
2	X54013051	Screw	32	X53053001	Screw	62	060300616	Screw
3	123006001	Screw	33	125161000	Needle guide plate	63	X58035001	Cloth selecting sensor
4	X52478001	Presser plate	34	X53896001	Needle clamp	64	X56020001	PT lever assembly
5	060400816	Screw	35	131226001	Needle clamp screw	65	014300332	Screw
6	X55969000	Timing belt	36	117914011	Needle	66	X52609001	Washer
7	X51916001	Belt adjusting pulley	37	X54971001	Threader hook assembly	67	X52569001	Nut
8	0A4400806	Screw	38	X55995001	HR solenoid holder assembly	68	X51569001	Spring
9	X55970001	NP board assembly				69	060400616	Screw
10	060400616	Screw	39	060300616	Screw	70	X58055001	Needle plate
11	X58328001	Needle bar supporter assembly	40	X56468001	Collar	71	X50487001	Screw
12	X51920001	Pin	41	014400432	Screw	72	X56025001	Inner rotary hook presser
13	014300332	Screw	42	X56469001	Eccentric screw	73	X56026001	Slide button
14	X56466000	Needle supporter stud A	43	X56960001	Nut	74	X56027001	Slide button supporter
15	X56551000	Needle bar supporter stud C	44	X55980001	Spring	75	060260316	Screw
16	014400432	Screw	45	110735001	Washer	76	X57815001	Thread cutter cover
17	X57643001	Set plate	46	X56004001	Needle bar supporter stud holder	77	X56029001	Needle plate cover spring
18	060300616	Screw	47	X56464001	Needle bar supporter arm	78	060260316	Screw
19	X57758051	Spring	48	048020346	Stop ring	79	X56033001	Lower thread cutter
20	X55981001	Needle bar	49	060400616	Screw	80	X56828151	Needle plate cover
21	X55983050	Needle threader position setter	50	X57822001	Spring	81	137977000	Washer
22	012400432	Screw	51	X58511000	Washer			
23	X55984001	Needle bar block assembly	52	061300516	Screw			
24	012400432	Screw	53	X56035001	Lamp holder			
25	X55990001	Needle bar guide	54	060400616	Screw			
26	060300416	Screw	55	X56470001	Face plate supporting plate			
27	X55991051	Needle bar crank rod assembly	56	X57650001	BH switch plate assembly			
28	X58237001	Spring	57	060300416	Screw			
29	X55944051	Needle bar crank	58	X57651001	BH switch lever assembly			
30	132051001	Screw	59	X57750001	BH change switch assembly			
			60	062020416	Screw			

From the library of: Diamond Needle Co.



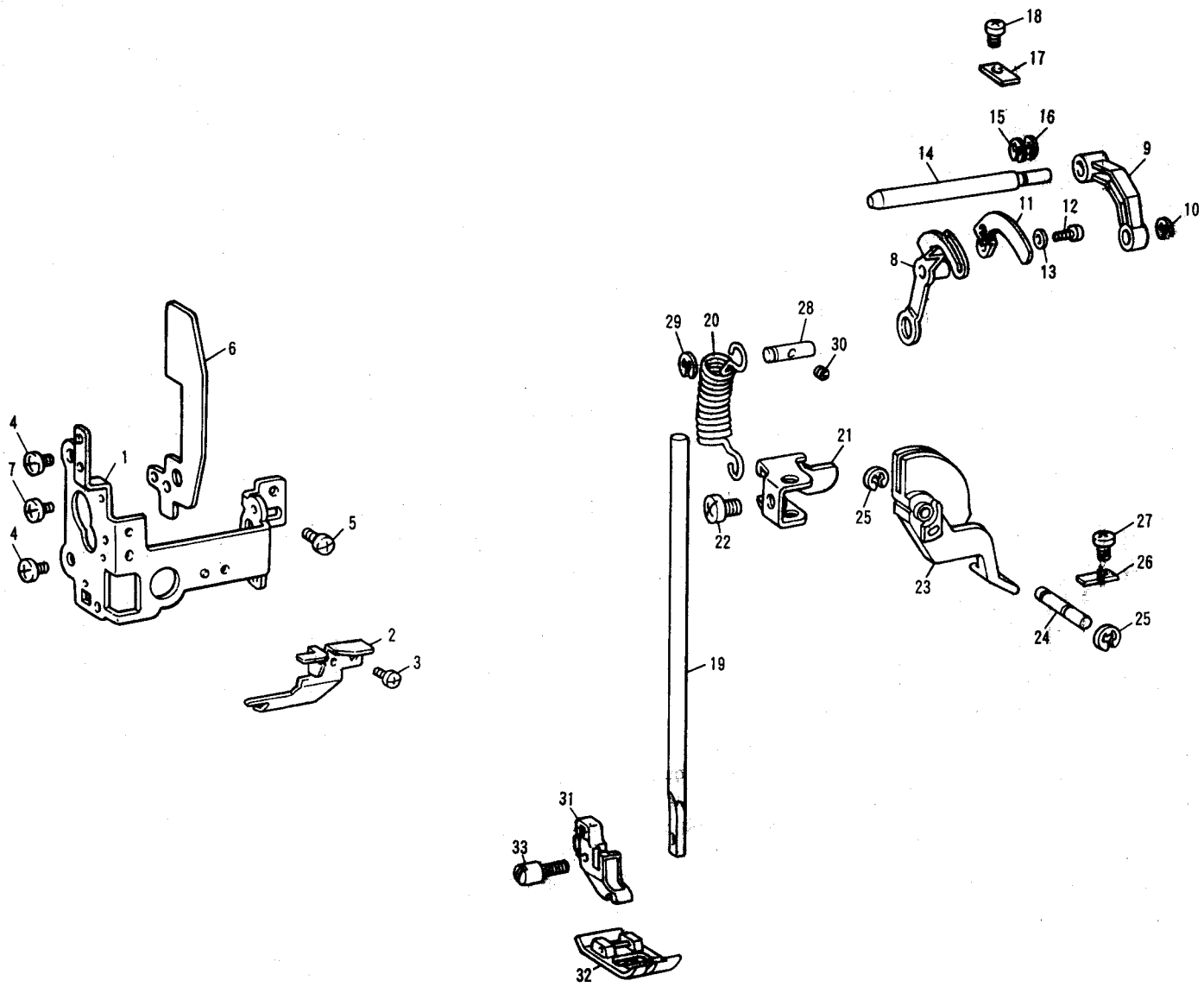
From the library of: Diamond Needle Corp

(3) THREAD TAKE-UP LEVER AND PRESSER BAR

Ref. No.	Parts No.	Parts Name	Ref. No.	Parts No.	Parts Name	Ref. No.	Parts No.	Parts Name
1	X58830001	Thread guide						
2	X57176051	Thread guide plate						
3	060260316	Screw						
4	060400416	Screw						
5	060400616	Screw						
6	X56675001	Thread guide plate						
7	060300416	Screw						
8	X56048051	Thread take-up lever						
9	X51547251	Thread take-up link						
10	048040346	Stop ring						
11	X56293000	Thread take-up lever plate						
12	060300416	Screw						
13	X56049001	Thread take-up lever stud						
14	048040346	Stop ring						
15	X53838001	Washer						
16	X50532001	Presser plate						
17	060400616	Screw						
18	025030132	Washer						
19	136551151	Presser bar						
20	132449001	Presser bar spring						
21	X56050001	Presser bar guide bracket						
22	132451001	Screw						
23	X56051001	Presser foot lifter						
24	X56052001	Stud for presser foot lifter						
25	048040346	Stop ring						
26	X50532001	Presser plate						
27	060400616	Screw						
28	X56053001	Presser bar spring stud						
29	048040346	Stop ring						
30	014400432	Screw						
31	129855001	Presser holder assembly						
32	132730151	Screw						
33	137748101	Zigzag presser foot						

From the library of: Diamond Needle Corp

3



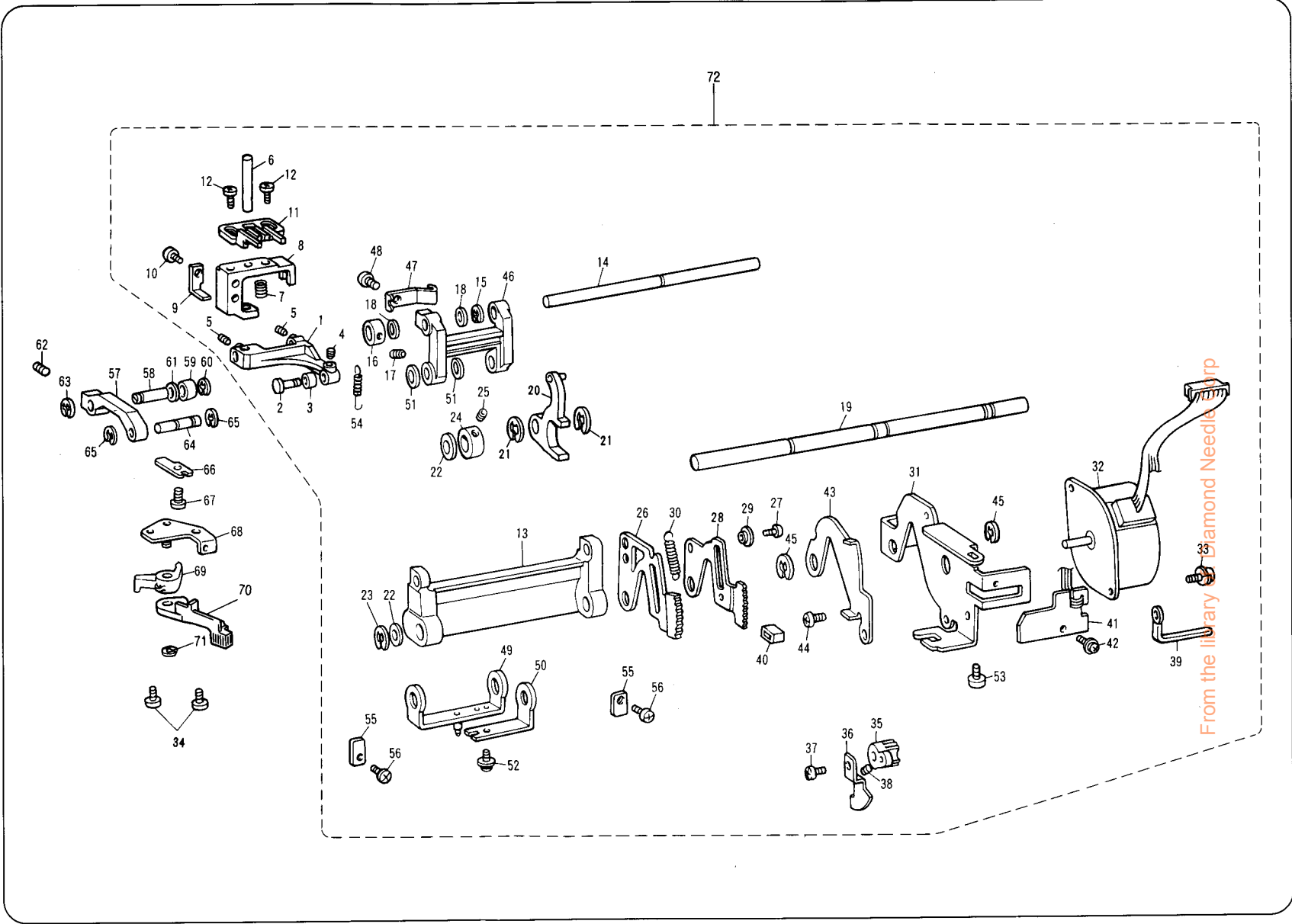
From the library of: Diamond Needle Corp



**(4) FEED MECHANISM**

Ref. No.	Parts No.	Parts Name	Ref. No.	Parts No.	Parts Name	Ref. No.	Parts No.	Parts Name
1	X56055050	Horizontal feed arm, A	35	X56081051	Feed pulse motor gear	69	X59720000	Drop lever
2	X56056051	Stud shaft	36	X56082000	F shutter	70	X59721001	Drop lever
3	137760050	Vertical feed roller	37	060300416	Screw	71	048040346	Stop ring
4	014400432	Screw	38	014400432	Screw	72	X58382001	Feed unit assembly
5	014400432	Screw	39	414959001	Wire clip			
6	137762051	Feed bar guide shaft	40	837738001	Stopper			
7	137763051	Spring	41	X56083001	Sensor board assembly			
8	X53778050	Feed bar	42	052300606	Screw			
9	X53779001	Feed bar plate	43	X56086001	F gear stopper			
10	060300616	Screw	44	060400416	Screw			
11	X57741001	Feed dog	45	048060346	Stop ring			
12	X53017001	Screw	46	X56413000	Horizontal feed arm, C			
13	X56059000	Horizontal feed arm, B	47	X56054001	Spring			
14	X56060151	Horizontal feed arm shaft	48	060400416	Screw			
15	048040346	Stop ring	49	X56097001	Side feed link plate			
16	137842151	Collar	50	X56099001	Connecting plate			
17	014400432	Screw	51	X56100000	Collar			
18	137713000	Washer	52	052300606	Screw			
19	X56061151	Horizontal feed shaft	53	060400816	Screw			
20	137775001	Side cutter lever arm	54	X56057001	Spring			
21	048060346	Stop ring	55	X50532001	Presser plate			
22	X51383000	Washer	56	060400816	Screw			
23	048060346	Stop ring	57	X56071050	Vertical feed arm			
24	137768151	Collar	58	137935051	Roller shaft			
25	014400432	Screw	59	137760050	Roller			
26	X56062001	F gear	60	048030346	Stop ring			
27	060300616	Screw	61	137999000	Washer			
28	X56064001	F-S gear	62	014400632	Screw			
29	X56129001	Collar	63	048040346	Stop ring			
30	X56065001	Spring	64	X56072151	Vertical feed arm shaft			
31	X56079001	Feed pulse motor holder	65	048030346	Stop ring			
32	Z25451001	Feed pulse motor	66	X56073001	Stop plate			
33	052400805	Screw	67	060400816	Screw			
34	060400816	Screw	68	X59718001	Drop lever assembly			

From the library of: Diamond Needle Corp



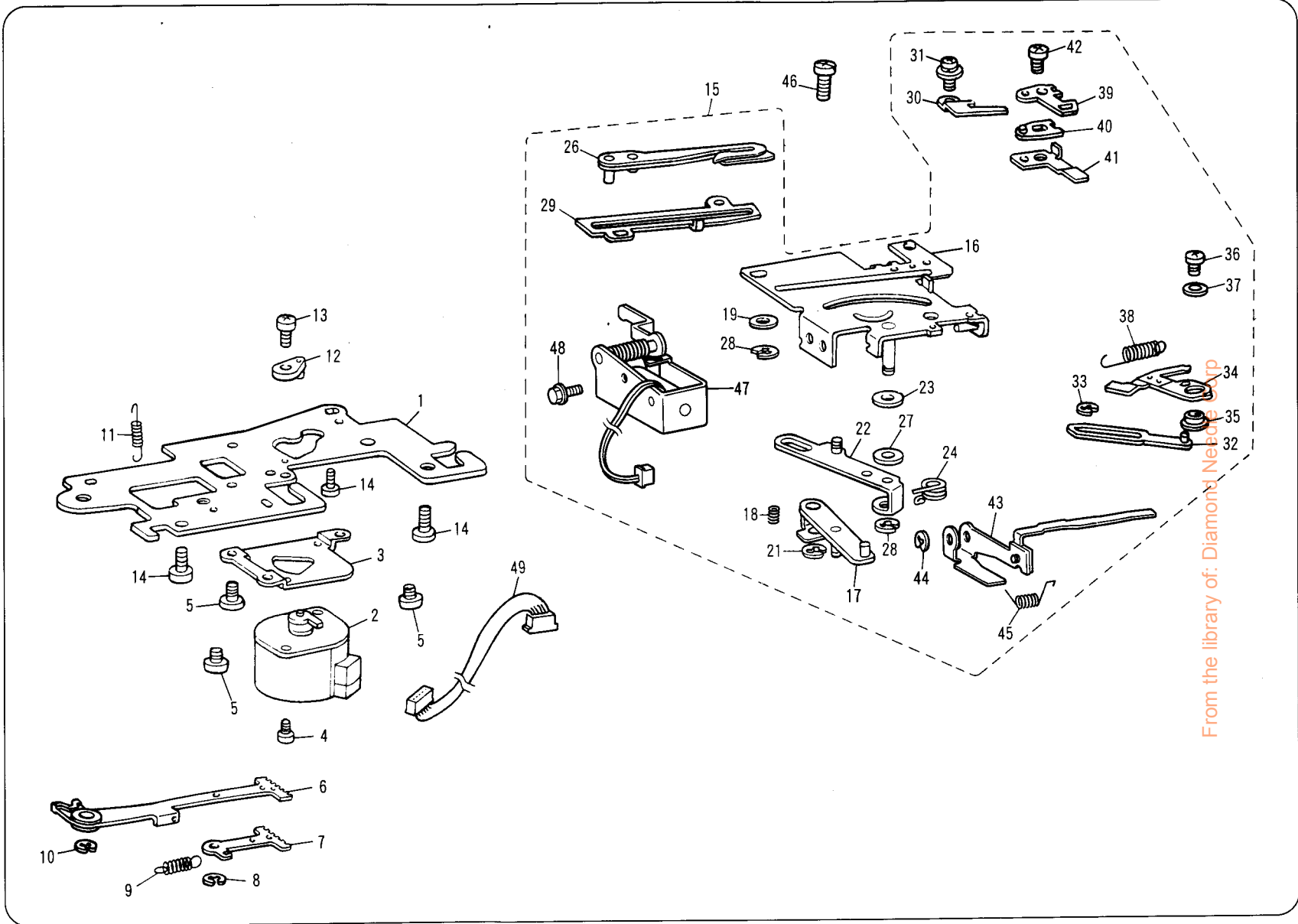
From the library of Diamond Needle Corp

**(5) SIDE FEED AND THREAD CUTTING**

Ref. No.	Parts No.	Parts Name	Ref. No.	Parts No.	Parts Name	Ref. No.	Parts No.	Parts Name
1	X56087101	Thread cutting base plate	32	X56123001	Bobbin presser lever assembly			
2	Z25468001	Side feed pulse motor						
3	X56089001	Side feed pulse motor holder	33	048030346	Stop ring E3			
			34	X56126101	Bobbin presser assembly			
4	060300416	Screw	35	X56129101	Collar			
5	060400416	Screw	36	060300516	Screw M3 × 5			
6	X56090001	Side feed plate assembly	37	026030236	Washer			
7	X56094001	Side feed plate gear	38	X58873001	Spring			
8	048030346	Stop ring	39	X56133001	Fixed blade			
9	X56095001	Spring	40	X56134001	Spacer			
10	048040346	Stop ring	41	X56544001	Inner rotary hook presser			
11	X53802001	Spring	42	060300616	Screw M3 × 6			
12	X56096000	Side feed stopper	43	X58874001	Lower thread guide plate assembly			
13	060400616	Screw						
14	060400616	Screw	44	048030346	Stop ring E3			
15	X58863001	Thread cutting complete	45	X58877001	Spring			
16	X58864001	Thread cutting frame assembly	46	060400616	Screw 4 × 6			
			47	X58878001	Thread cutting solenoid assembly			
17	X58867001	Thread cutting lever assembly	48	060300516	Screw M3 × 5			
18	X58869001	Spring	49	X56772001	SPM lead wire			
19	137713000	Washer						
20	048040346	Stop ring E4						
21	048040346	Stop ring E4						
22	X58870001	Thread cutting lever assembly						
23	025710232	Washer 4.76						
24	X58872001	Spring						
26	X56117101	Movable blade assembly						
27	025710132	Washer 4.76						
28	048040346	Stop ring E4						
29	X56412000	Thread cutter spacer						
30	X56691000	Thread cutter presser plate						
31	575039003	Screw 3 × 5 DA						

From the library of: Diamond Needle Corp

5



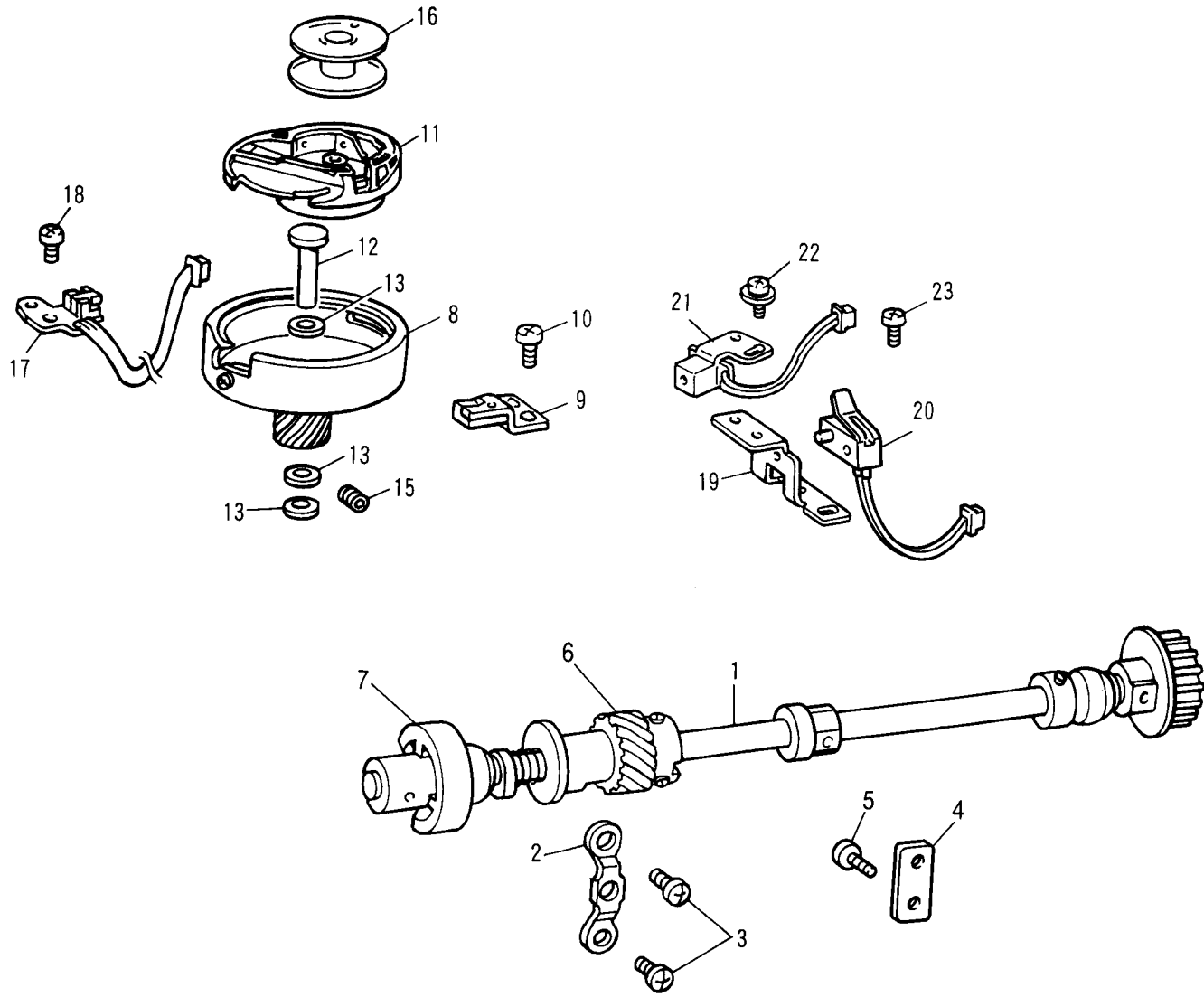
From the library of: Diamond Network Corp

(6) LOWER SHAFT AND ROTARY HOOK

Ref. No.	Parts No.	Parts Name	Ref. No.	Parts No.	Parts Name	Ref. No.	Parts No.	Parts Name
1	X58955001	Lower shaft assembly						
2	X54780151	Bushing presser						
3	060400816	Screw						
4	X50749001	Lower shaft supporting plate						
5	060400816	Screw						
6	X52753001	Lower shaft gear						
7	X58887000	Thread cutting cam						
8	X56160001	Outer rotary hook assembly						
9	X53553101	Inner rotary hook bracket assembly						
10	060400616	Screw						
11	X57177201	Inner rotary hook assembly						
12	137804101	Outer rotary hook shaft						
13	137805001	Washer						
14	137976001	Washer						
15	014400632	Screw						
16	136492101	Bobbin						
17	X56168001	Photo diode assembly						
18	060400616	Screw						
19	X56067000	SC switch holder						
20	X56068001	SC switch assembly						
21	X56175001	Photo transistor assembly						
22	052300606	Screw						
23	060400816	Screw						

From the library of: Diamond Needle Corp

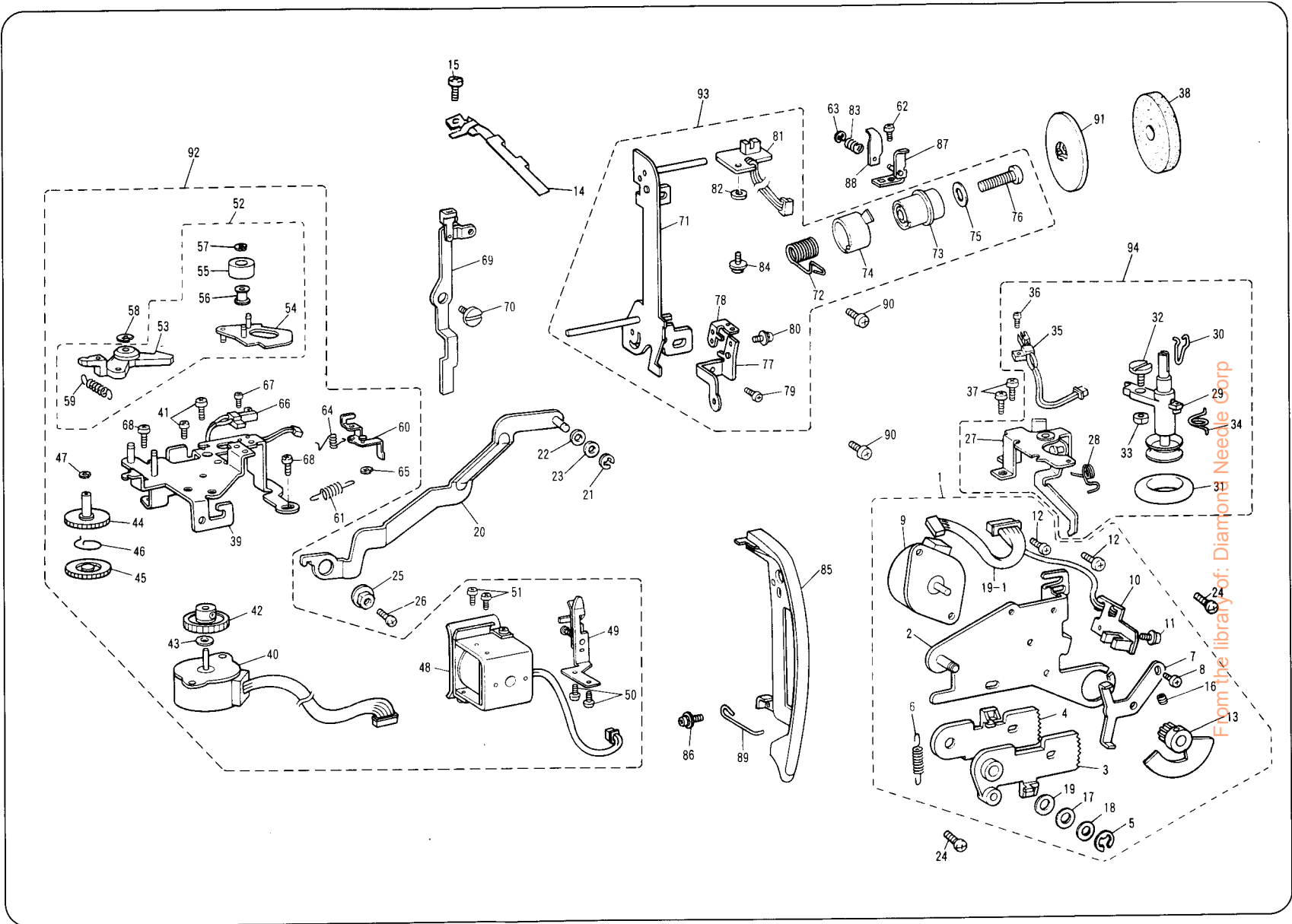
6



From the library of: Diamond Needle Corp

**(7) ZIGZAG MECHANISM, BOBBIN WINDER AND THREAD GUIDE**

Ref. No.	Parts No.	Parts Name	Ref. No.	Parts No.	Parts Name	Ref. No.	Parts No.	Parts Name
1	X56179001	Zigzag pulse motor assembly	34	X52102001	Spring	63	048020346	Stop ring
2	X56180001	Zigzag pulse motor holder	35	X56202001	Bobbin winder switch assembly	64	X58061001	Spring
3	X56183100	Zigzag gear A				65	048020346	Stop ring
4	X56184100	Zigzag gear B	36	062260516	Screw	66	X56220001	Switch assembly
5	048040346	Stop ring	37	060400816	Screw	67	062260516	Screw
6	X56185001	Spring	38	X57045001	Felt	68	060400616	Screw
7	X56186001	Z gear stopper	39	X56205101	Auto tension pulse motor holder	69	X56222001	Tension releaser assembly
8	060300416	Screw				70	132385001	Stud screw
9	Z25460001	Zigzag pulse motor	40	Z25485001	Auto tension pulse motor	71	X56225001	Thread guard plate
9-1	X56771001	ZPM lead wire	41	060300416	Screw	72	X56703001	Thread take-up spring
10	X56187001	Sensor board assembly	42	X53814001	Auto tension pulse motor gear	73	X53828001	Thread take-up spring case
11	052300606	Screw				74	X58316001	Thread cutting shutter
12	060300416	Screw	43	137977000	Washer	75	124521001	Spring washer
13	X58064001	ZPM gear	44	X51639001	AT gear	76	062401615	Screw
14	X58274001	Thread guard	45	Z51641000	AT gear	77	X56227001	Thread cutting sensor holder A
15	052300606	Screw	46	X51642001	Spring			
16	014300332	Screw	47	048020346	Stop ring	78	X56933001	Thread cutting sensor holder B
17	X56731000	Washer	48	X56209001	Solenoid assembly			
18	025050135	Washer	49	X56211001	Thread guide plate A assembly	79	060300616	Screw
19	X53027000	Washer				80	052300606	Screw
20	X56193001	Zigzag connecting rod assembly	50	060300416	Screw	81	X56228001	Sensor board assembly
21	048030346	Stop ring	51	060300416	Screw	82	130128001	Washer
22	117851001	Washer	52	X56213101	Roller supporting arm assembly	83	X56581001	Spring
23	025040135	Washer				84	052300606	Screw
24	060400816	Screw	53	X56214101	Roller supporting arm	85	X56230001	Thread guard cover
25	X50559000	Zigzag adjusting nut	54	X56597001	Roller holder	86	052300606	Screw
26	062301006	Screw	55	X51657000	Roller	87	X56579001	Thread guide plate C assembly
27	X58357001	Bobbin winder base plate	56	X51658000	Roller wheel			
28	137992001	Spring	57	048025346	Stop ring	88	X56595000	Thread guide plate D
29	X58927051	Bobbin winder assembly	58	048030346	Stop ring	89	X56232000	Thread guide wire
30	125928000	Spring	59	X51659001	Spring	90	060400416	Screw
31	120448001	Bobbin winder rubber ring	60	X58069001	Thread guide link A assembly	91	X55260002	Spool presser
32	120263001	Stud screw				92	X58266001	Auto tension assembly
33	102571003	Nut	61	X58062001	Spring	93	X58315001	Thread guard plate assembly
			62	062300416	Screw	94	X56197001	Bobbin winder assembly



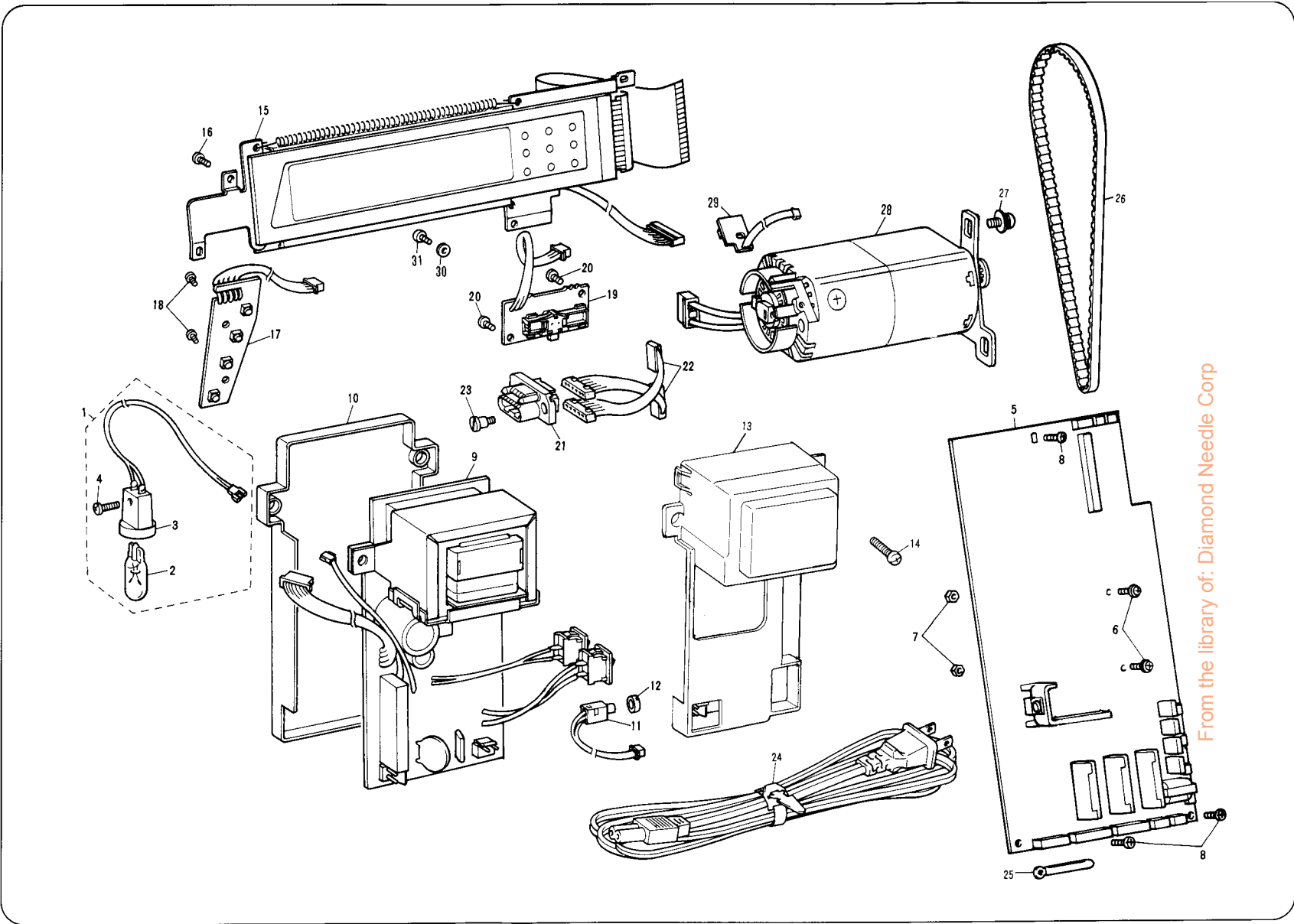
From the library of: Diamond Needle Corp



**(8) LAMP, MAIN PC BOARD ASSEMBLY AND MOTOR UNIT**

Ref. No.	Parts No.	Parts Name	Ref. No.	Parts No.	Parts Name	Ref. No.	Parts No.	Parts Name
1	X56233001	Sew-light assembly	23	X56304000	Stud screw			
2	X50228001	Sew-light bulb	24	138561001	Power supply cord for SAA			
3	X56234001	Lamp socket		X57079001	Power supply cord for U.K.			
4	085301017	Screw		131430001	Power supply cord for Europe			
5	X59795001	Main PC board assembly		X50018001	Power supply cord for UL, CSA			
6	538773001	Screw		137947001	Clip			
7	021300106	Nut	25	137947001	Clip			
8	052300606	Screw	26	X56307001	Timing belt			
9	X57858001	Power supply unit assembly for 120V	27	537235001	Screw			
	X58048001	Power supply unit assembly for 220V	28	J01484001	Motor unit for 220V-240V			
	X58050001	Power supply unit assembly for 230V		J01259001	Motor unit for 120V			
	X58052001	Power supply unit assembly for 240V	29	J00347001	Motor PC board assembly			
10	X56306001	Power supply unit case	30	X57005000	Washer			
11	X56281001	Pin jack assembly	31	136681001	Screw			
12	X51271001	Nut						
13	X57825001	Power supply unit cover						
14	060402016	Screw						
15	X58177013	LCD unit assembly for Galaxie II						
	X58177015	LCD unit assembly for PC7500						
	X58177014	LCD unit assembly for ESi-2						
16	136681001	Screw						
17	X56296001	SS PC board assembly						
18	136681001	Screw						
19	X56299001	VR board assembly						
20	138433001	Screw						
21	X56302001	Connector						
22	X56303001	Lead wire assembly						

From the library of: Diamond Needle Corp



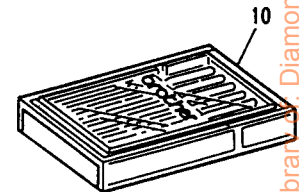
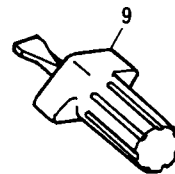
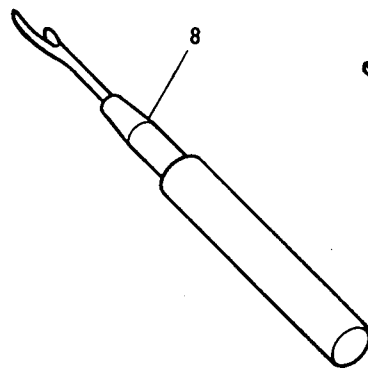
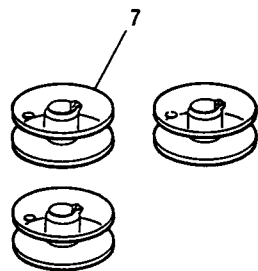
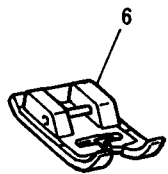
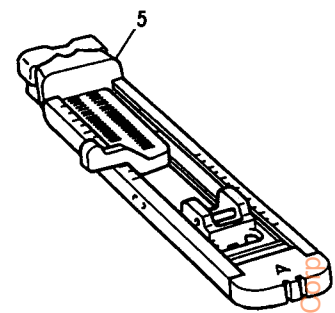
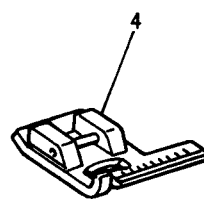
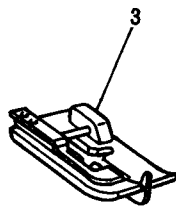
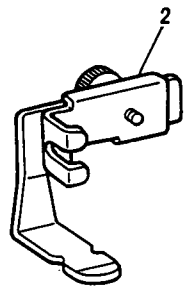
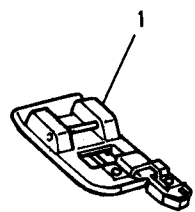
From the library of: Diamond Needle Corp

(9) ACCESSORY

Ref. No.	Parts No.	Parts Name	Ref. No.	Parts No.	Parts Name	Ref. No.	Parts No.	Parts Name
1	X51162001	Overlock stitch foot						
2	103561002	Zipper foot						
3	X56409001	Blind stitch foot						
4	X51804001	Stitch foot						
5	129881001	Button hole foot						
6	X53840201	Transparebey presser foot						
7	136492101	Bobbin						
8	X54243001	Seam ripper						
9	X53666001	Screw driver						
10	132680001	Needle set						

From the library of: Diamond Needle Corp

9

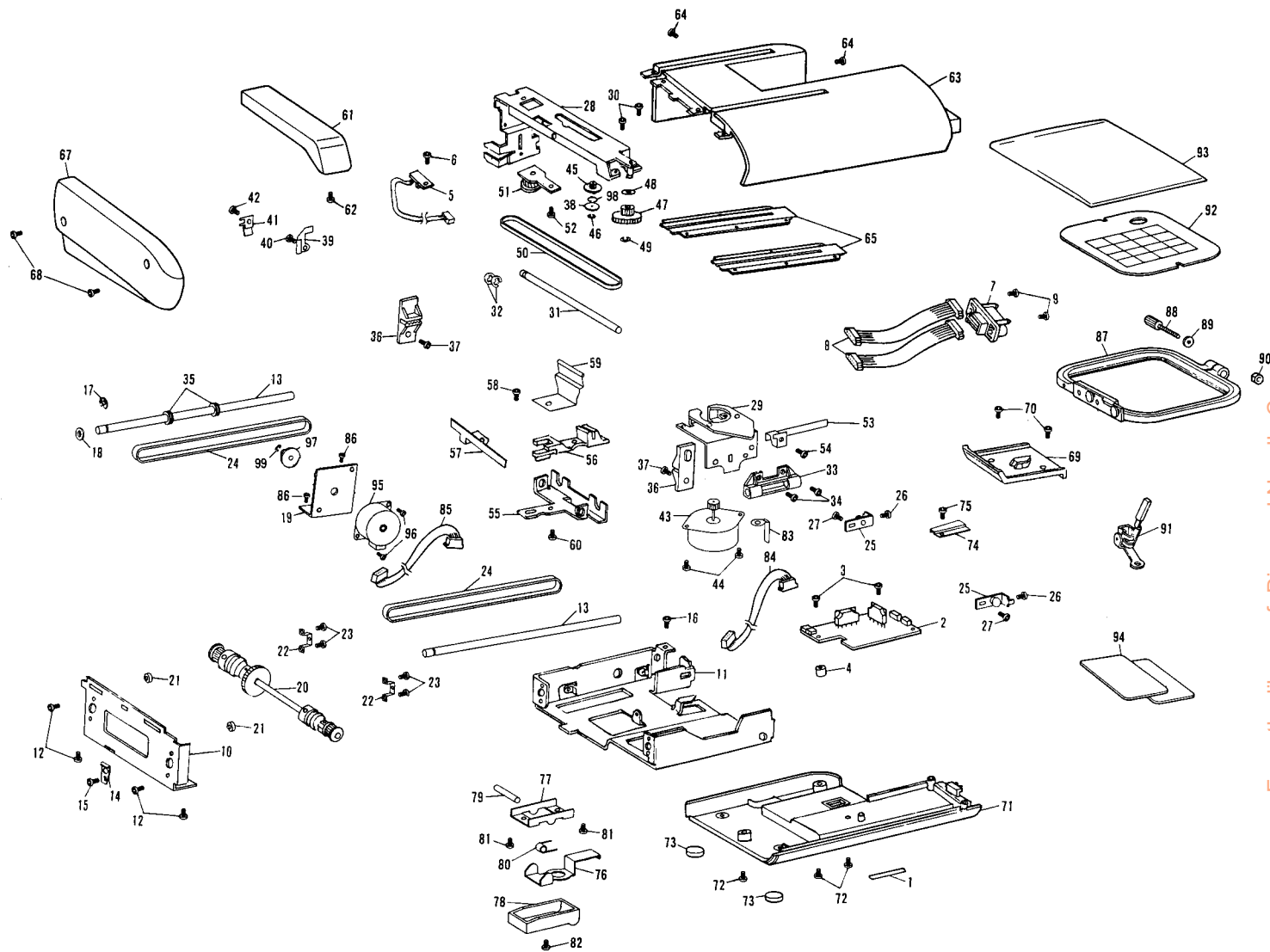


From the library: Diamond Needle Co.

## (10) EMBROIDERY UNIT

Ref. No.	Parts No.	Parts Name	Ref. No.	Parts No.	Parts Name	Ref. No.	Parts No.	Parts Name
1	X56708001	Medallion	37	052300606	Screw	75	X58004001	Screw
2	X58330001	Embroidery PC board assembly	38	X56322000	Gear B	76	X56723001	Supporting plate
			39	X56347101	Cord guide A	77	X56724001	Supporting plate holder
3	136681001	Screw	40	060300516	Screw	78	X56725001	Supporting plate cover
4	X57849001	Spacer	41	X56349001	Cord guide C	79	X56726001	Supporting plate shaft
5	X58259101	Sensor board assembly	42	060300516	Screw	80	X56727001	Spring
6	060020416	Screw	43	Z25493001	Y pulse motor	81	136681001	Screw
7	X56302001	Connector	44	052300606	Screw	82	060300516	Screw
8	X56303001	Lead wire assembly	45	X56321000	Gear A	83	137947001	Clip
9	037421616	Screw	46	048020346	Stop ring	84	X52241001	Lead wire assembly
10	X57839000	Frame L	47	X56352000	Drive gear pulley	85	X56774001	XPM lead wire assembly
11	X57838000	Frame R	48	026060235	Washer	86	X58004001	Screw
12	X58004001	Screw	49	048040346	Stop ring	87	X58998001	Embroidery frame A assembly
13	X56314101	X guide shaft	50	X56354001	T belt			
14	X56415001	Stopper plate	51	X58269001	Y tension pulley assembly	88	X56373101	Thumb screw
15	X58004001	Screw	52	052300606	Screw	89	X59422001	Washer
16	060300816	Screw	53	X56361001	Initial shutter	90	021300106	Nut
17	048050346	Stop ring	54	060300516	Screw	91	X56603001	Embroidery foot assembly
18	X58511000	Washer	55	X58271001	Y carriage	92	X56702002	Embroidery sheet
19	X57841101	X-PM holder	56	X58272000	Y slider	93	X56943000	Vinyl bag 140 × 200
20	X56315101	X driving shaft	57	X58273001	Y shutter	94	X58318001	Memory card 5ex
21	X56325001	Metal bush	58	052300606	Screw		X58322001	Memory card 6ex
22	X56326101	Presser plate	59	X56369001	Notched spring	95	Z25501001	X pulse motor
23	X58005001	Screw	60	060300516	Screw	96	X58004001	Screw
24	X56327001	T belt	61	X56386103	Carriage cover	97	X56321000	Gear A
25	X56328001	X tension pulley assembly	62	136681001	Screw	98	X56323051	Spring
26	060300816	Screw	63	X56387201	Main cover	99	048020346	Stop ring
27	052300606	Screw	64	060300516	Screw			
28	X58264001	Carriage assembly	65	X57142101	Cover presser plate			
29	X56336001	Carriage supporter	67	X56390101	Side cover			
30	060300516	Screw	68	X58006001	Screw			
31	X58268001	Y guide shaft	69	X56391001	Base cover S			
32	048040346	Stop ring	70	X58004001	Screw			
33	X56341000	X slide guide	71	X56392101	Main cover base			
34	060300516	Screw	72	X58004001	Screw			
35	X56343100	Slide bush	73	130157001	Rubber cushion			
36	X59429000	Belt presser	74	X56367100	Cord guide			

From the library of: Diagnostics Needle Corp



From the library of: Diamond Needle Corp